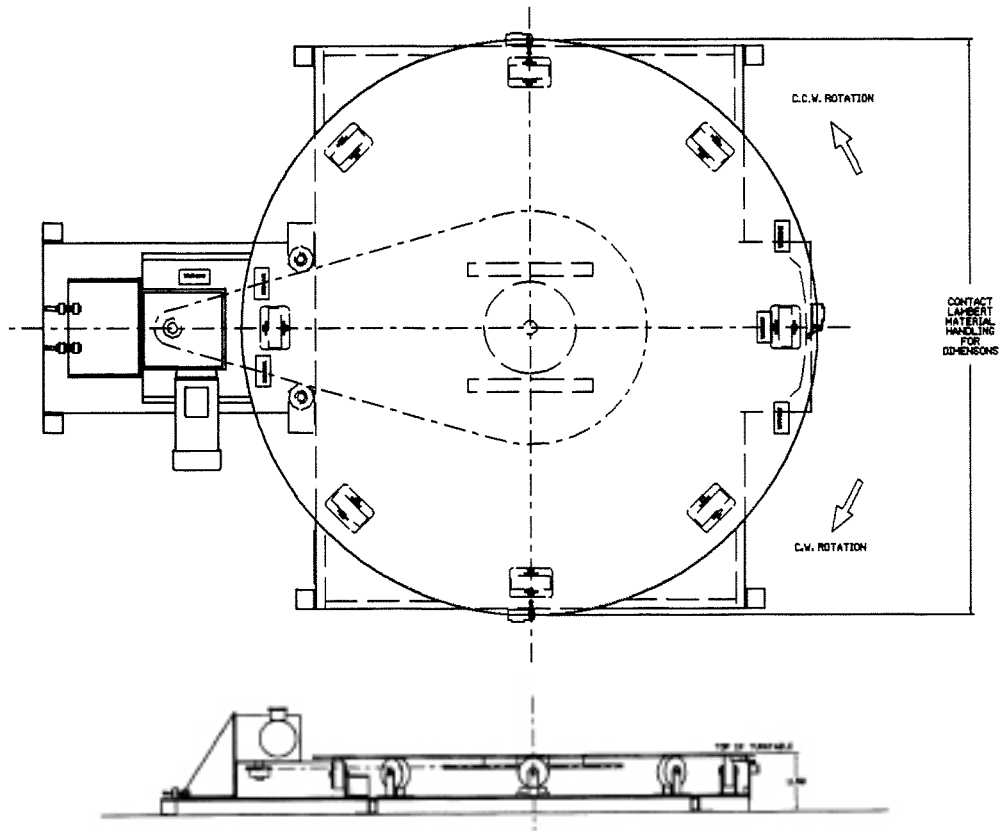


POWERED ROTATING TURNTABLE

TT 4840



STANDARD SPECIFICATIONS

- Drive – 1/2 HP - 230/40V - 60HZ 3PH with brake
- Rotation – 3.5 RPM minimum – 6 RPM maximum
- Maximum Load – 2500 lbs
- Electrical controls including motor starter and foot control
- Finish – Lamson Blue

OPTIONS

- Controls to stop at 90° intervals
- Gravity roller section
- Chain driven live roller section